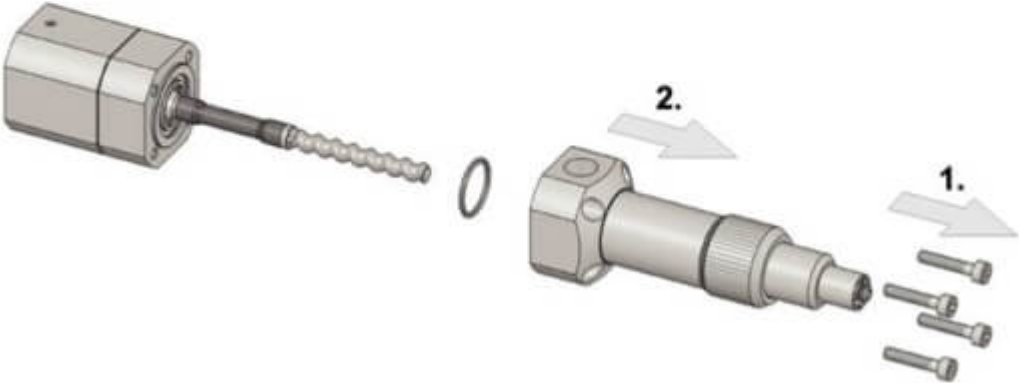
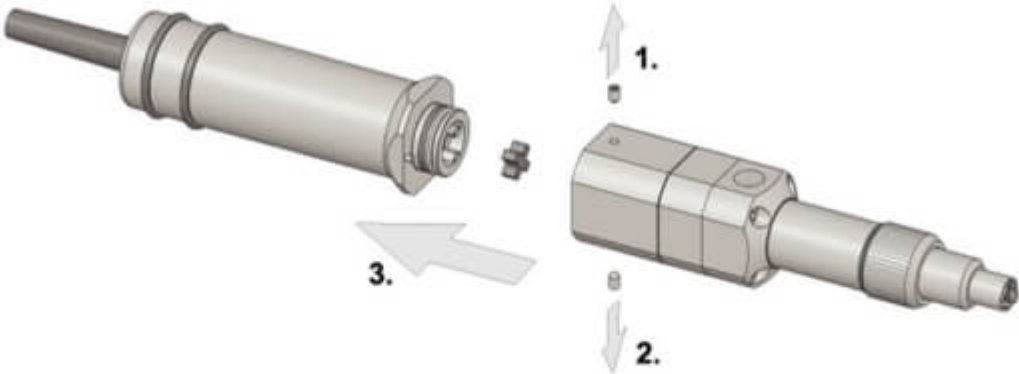


preeflow - easy to clean high accuracy pump

Since we introduced [preeflow's precision volumetric, positive displacement, dosing/dispensing eco-PEN](#), it has impressed with its accuracy, absolute control and the fact that it causes no stress to the material being handled.

One very useful aspect of preeflow pen is how simple it is to clean and service. The eco-PEN comprises two modules: *drive unit* and *dosing unit*. These can be easily separated from each other by unfastening four screws and pulling the two apart. The *dosing unit* consists of three modules: sealing package, bearing housing with rotor string and pump housing with end piece. All are designed for cleaning with readily available pipe cleaners in a matter of minutes. In fact, the entire disassembly–cleaning–reassembly process takes just five minutes, increasing uptime and reducing total cost of ownership. eco-PEN *drive units* are maintenance-free.

preeflow - easy to clean high accuracy pump



preeflow - easy to clean high accuracy pump

Supplied by:

intertronics

INTERTRONICS

12a Station Field Industrial Estate, Banbury Road, Kidlington

Oxfordshire England OX5 1JD

t 01865 842842 e info@intertronics.co.uk

Last updated: November 2018

Statements, technical information and recommendations contained herein are based on tests we believe to be reliable but they are not to be construed in any manner as warranties expressed or implied. The user shall determine the suitability of the product for his intended use and the user assumes all risk and liability whatsoever in connection therewith.