

# Micro-Dot™ Manual Syringe Dispenser

The Micro-Dot™ portable syringe dispenser offers positive-displacement accuracy for dispense volumes as small as 0.0003 mL. Once a volume is set it can be repeated with accuracy. This syringe dispenser utilizes a pre-packaged disposable syringe as its fluid reservoir, preventing any contact between the fluids and the dispenser eliminating fluid contamination during dispense. With the proper dispense tip selection, the *Micro-Dot* is suitable for dispensing a wide range of low-to-high viscosity fluids including pastes, lubricants, adhesives, sealants, and more.




Thumb Activated *Micro-Dot* Syringe Dispenser (T20000)

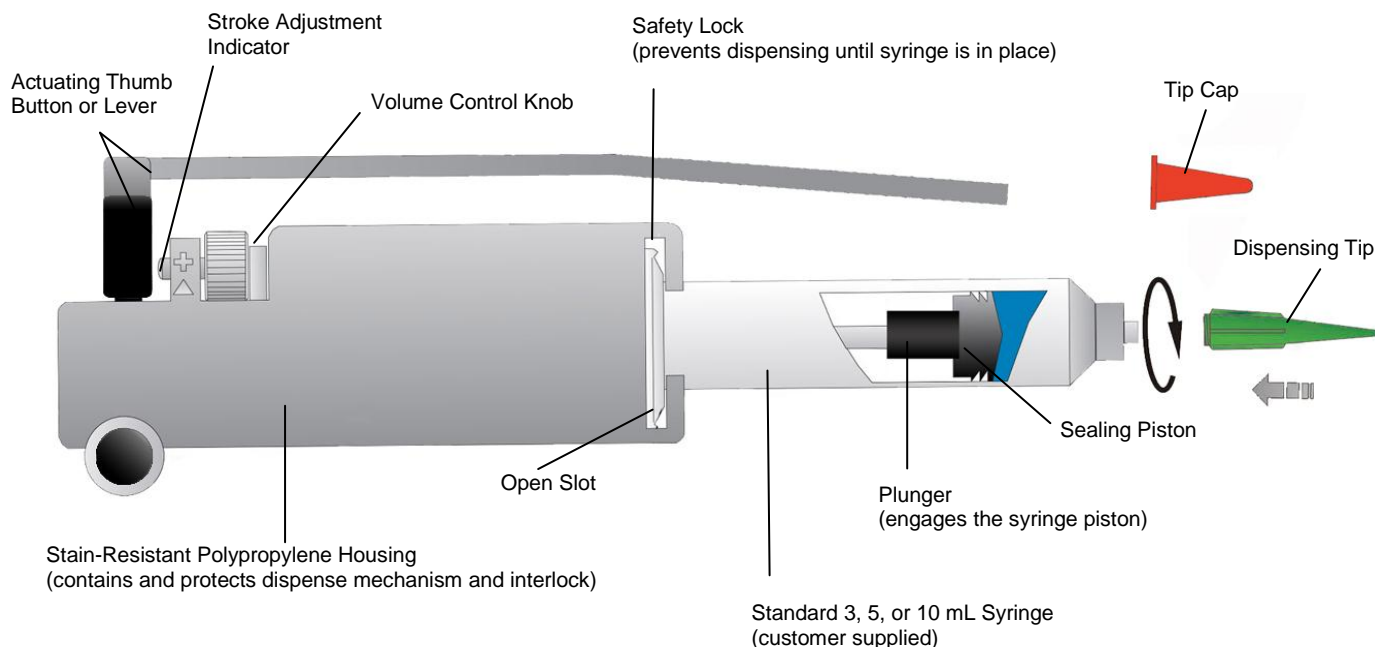


Lever Activated *Micro-Dot* Syringe Dispenser (T20010)

| BENEFITS  | FEATURES  |
|---|---|
| Control over dispense volume, assuring an accurate dispense despite viscosity and syringe level changes | Positive-displacement dispensing with adjustable stroke   |
| Useful for a variety of applications  | Dispenses a wide range of low-to-high viscosity materials   |
| Portable; can be used anytime, anywhere   | No power or air required  |
| Easy product changeover<br>Eliminates the risk of material contamination during dispense                | Utilizes disposable syringe as fluid reservoir  |
| Works with standard machine-ready syringes  | Compatible with EFD Ultra <sup>®</sup> and Optimum™ syringes, Fishman <sup>®</sup> syringes, and other 3, 5, and 10 mL machine-ready syringes |
| Multiple options for hand-held dispensing   | Choice of thumb or lever actuation  |

| SPECIFICATIONS                 |   |
|--------------------------------|---|
| <b>Dispenser Type</b>          | Manual, positive displacement syringe dispenser   |
| <b>Activation</b>              | Manual by lever or thumb actuator   |
| <b>Shot Size</b>               | Minimum: 0.0003 mL (400 cP material with 25 gauge taper tip)<br>Maximum: 0.170 mL (400 cP material with 14 gauge taper tip) |
| <b>Dimensions (L x W x H)</b>  | 4.5" x 0.87" x 2.13" (11.4 cm x 2.2 cm x 5.4 cm)  |
| <b>Weight</b>                  | 2.8 oz. (81.3 g)  |
| <b>Unit Warranty</b>           | 1 year from purchase  |
| <b>Part Number</b>             | <b>T20000</b> Thumb Activated<br><b>T20010</b> Lever Activated  |
| <b>Recommended Accessories</b> | <b>T15466</b> Inclined Syringe Stand     |

## MICRO-DOT™ DISPENSER



© 2011 DYMAX Corporation. All rights reserved. All trademarks in this guide, except where noted, are the property of, or used under license by DYMAX Corporation, U.S.A. Ultra® and Optimum™ are registered trademarks of Nordson Corporation; Fishman® is a registered trademark of Fishman Corporation.

Please note that most dispensing and curing system applications are unique. DYMAX does not warrant the fitness of the product for the intended application. Any warranty applicable to the product, its application and use is strictly limited to that contained in DYMAX's standard Conditions of Sale. DYMAX recommends that any intended application be evaluated and tested by the user to insure that desired performance criteria are satisfied. DYMAX is willing to assist users in their performance testing and evaluation by offering equipment trial rental and leasing programs to assist in such testing and evaluations. Data sheets are available for valve controllers or pressure pots upon request.

LIT288 8/22/11

DYMAX Corporation  
860.482.1010  
info@dymax.com  
[www.dymax.com](http://www.dymax.com)

DYMAX Europe GmbH  
+49 (0) 611.962.7900  
info\_de@dymax.com  
[www.dymax.de](http://www.dymax.de)

DYMAX UV Adhesives & Equipment (Shenzhen) Co Ltd  
+86.755.83485759  
dymaxasia@dymax.com  
[www.dymax.com.cn](http://www.dymax.com.cn)

DYMAX Asia (Hong Kong) Ltd  
+852.2460.7038  
dymaxasia@dymax.com  
[www.dymax.com.cn](http://www.dymax.com.cn)

DYMAX Korea LLC  
82.2.784.3434  
info@dymax.kr  
[www.dymax.co.kr](http://www.dymax.co.kr)

